



7520 Conrad Street
Burnaby, BC V5A 2H7

Phone : 604 415 5181
Fax : 604 415 5185

DRAWN BY: P.S DATE:09/2007

APPROVED:

REVISION:

SCALE: NOT TO SCALE

LOAD RATING
N . A

MATERIAL SPECIFICATION

CONCRETE

COATING

ESTIMATED WEIGHT -

170 LBS.

Notes:

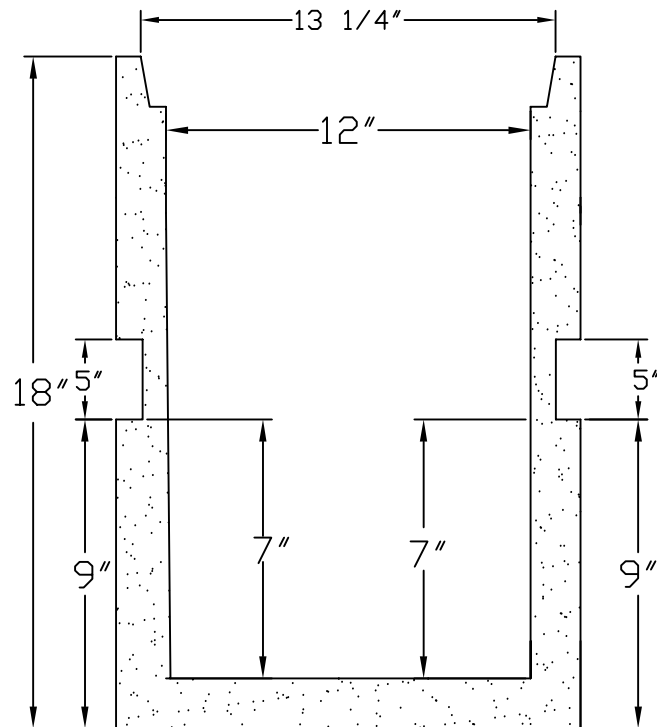
All dimensions are in inches
&
Dimensions are approx.
Drawing dimensions are N.T.S
Available with Cast Iron Grate
or
Concrets Solid Lid.

PART / DWG NUMBER

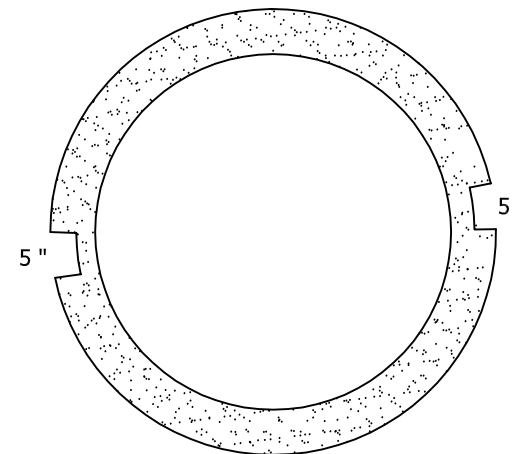
12" X 18" SUMP

CATALOG NUMBER

1218S



One Inlet and One Outlet
knock-out .Both ate 5".



knock-out pattern

12" X 18" Sump / Lawn Basin