



7520 Conrad Street  
Burnaby, BC V5A 2H7

Phone : 604 415 5181  
Fax : 604 415 5185

DRAWN BY: P.S DATE: 04/2007

APPROVED:

REVISION:

SCALE: NOT TO SCALE

LOAD RATING  
H 20

MATERIAL SPECIFICATION  
CONCRETE

COATING

ESTIMATED WEIGHT -  
3636CBS - 1400 LBS  
36" x 36" CB

Note:-

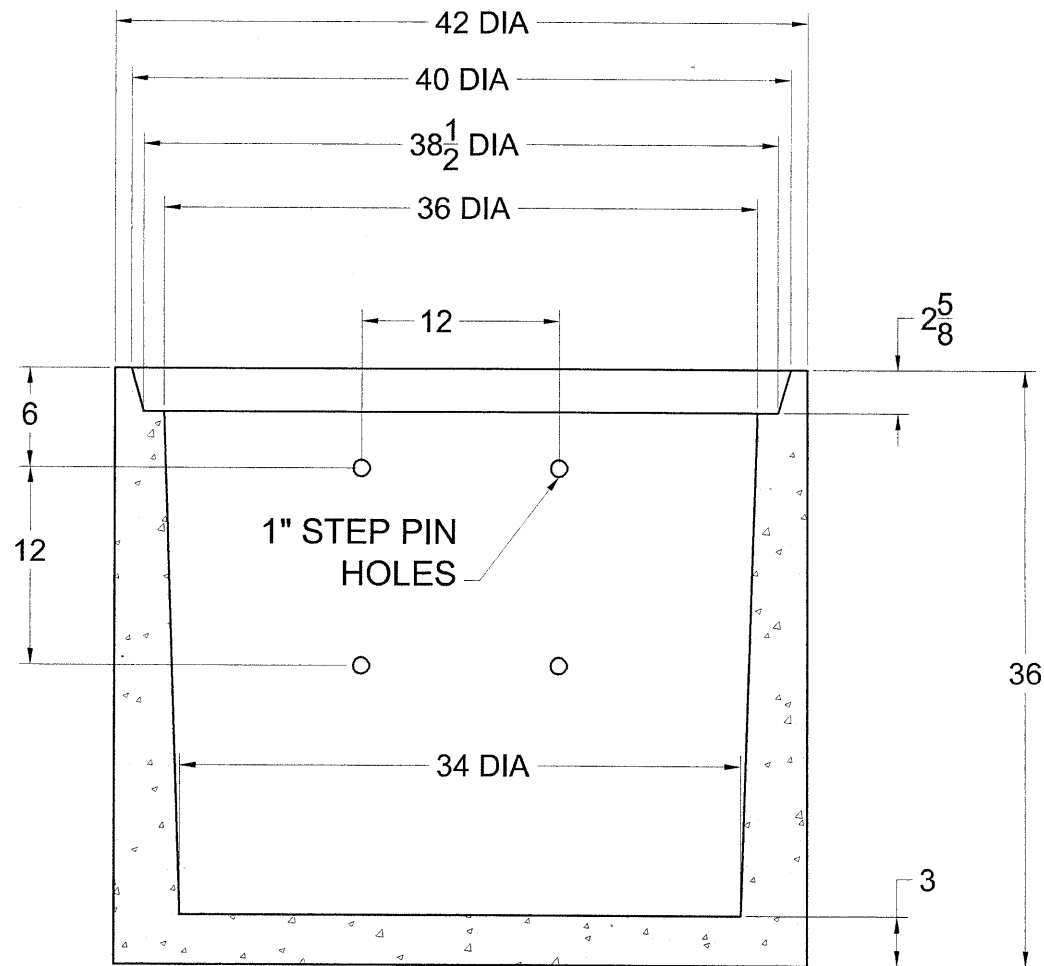
All Dimensions are  
approximate

PART / DWG NUMBER

3636CBS

CATALOG NUMBER

3636CBS



3636CBS : 36" x 36" Catch Basin / Sump