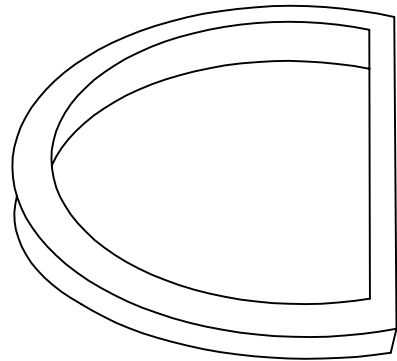


Catch Basin Ring (CBR2)

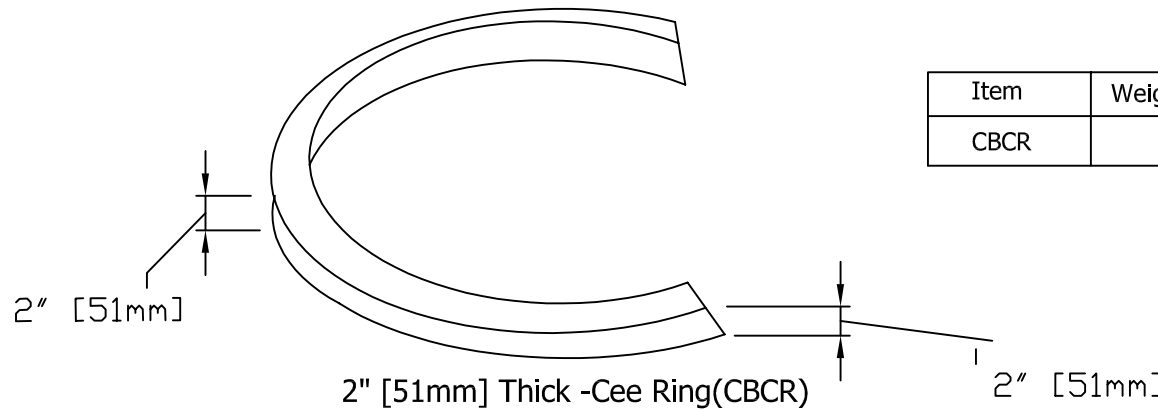
Also available 1" thick

Item	Weight (Lbs)
CBR1	22
CBR2	52



2" [51mm] Thick -Dee Ring (CBDR)

Item	Weight (Lbs)
CBDR	44



2" [51mm] Thick -Cee Ring (CBCR)

Item	Weight (Lbs)
CBCR	30



7520 Conrad Street
Burnaby, BC V5A 2H7

Phone : 604 415 5181
Fax : 604 415 5185

DRAWN BY: P.S DATE:10/2007

APPROVED:

REVISION:

SCALE: NOT TO SCALE

LOAD RATING

N . A

MATERIAL SPECIFICATION

CONCRETE

COATING

ESTIMATED WEIGHT -
LBS.

Notes:

PART / DWG NUMBER

CATCH BASIN
RINGS

CATALOG NUMBER

Catch Basin Rings