



7520 Conrad Street
Burnaby, BC V5A 2H7

Phone : 604 415 5181
Fax : 604 415 5185

DRAWN BY: P.S DATE: 04/2007

APPROVED:

REVISION:

SCALE: NOT TO SCALE

LOAD RATING
H 20

MATERIAL SPECIFICATION
ASTM A 48

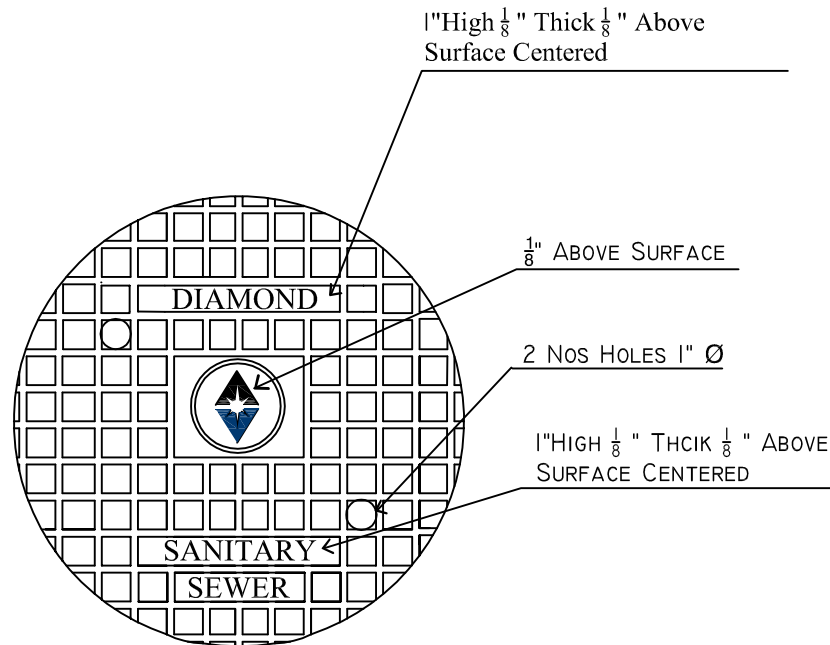
COATING
BITUMINOUS TAR COATED
(UNCOATED ON REQUEST)

ESTIMATED WEIGHT -
124 LBS.

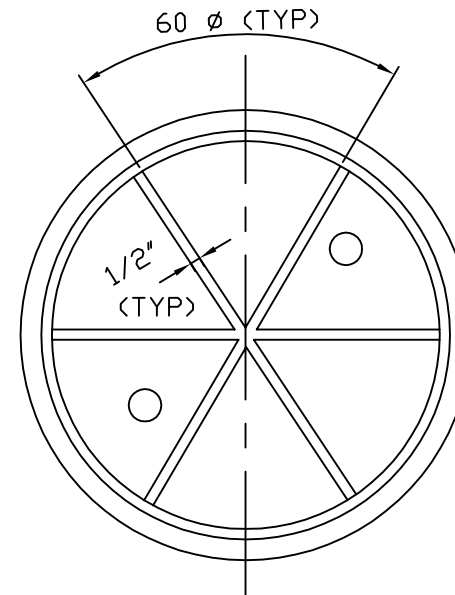
PART / DWG NUMBER

D18-Sanitary Sewer

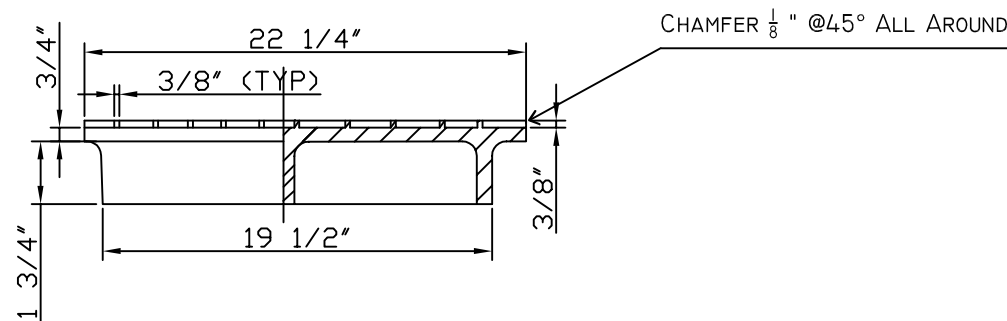
CATALOG NUMBER



TOP VIEW



BOTTOM VIEW



SECTION 'AA'

D18:- Cast Iron Cover marked "Sanitary Sewer"