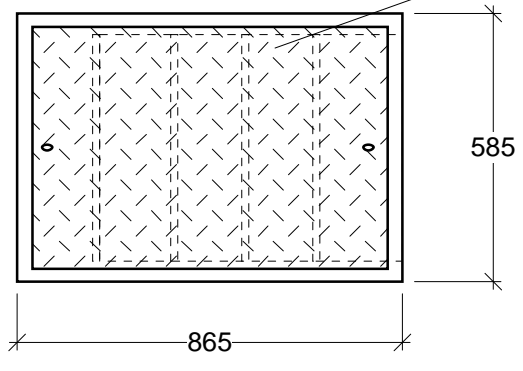


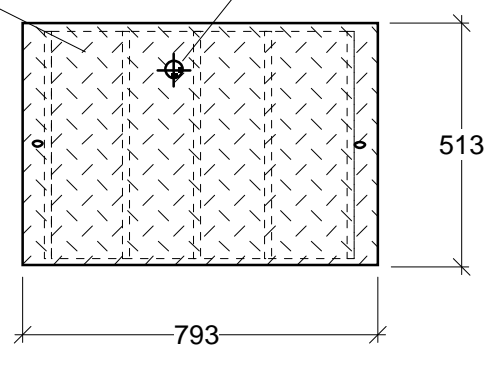
Steel Checker Plate Lid - Optional Items:  
 Galvanized, Bolt Down Assy,  
 Pad-Lock Recess,  
 Weld Markings - eg. "ELEC"

Painted Steel Checker Plate Covers

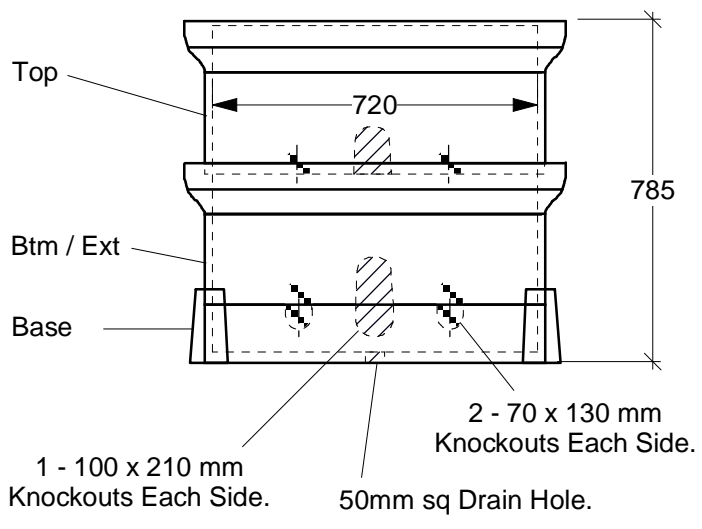
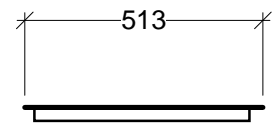
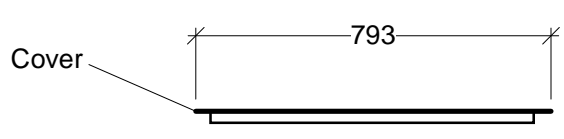
Optional 45φ Hole  
 for Remote Reader.



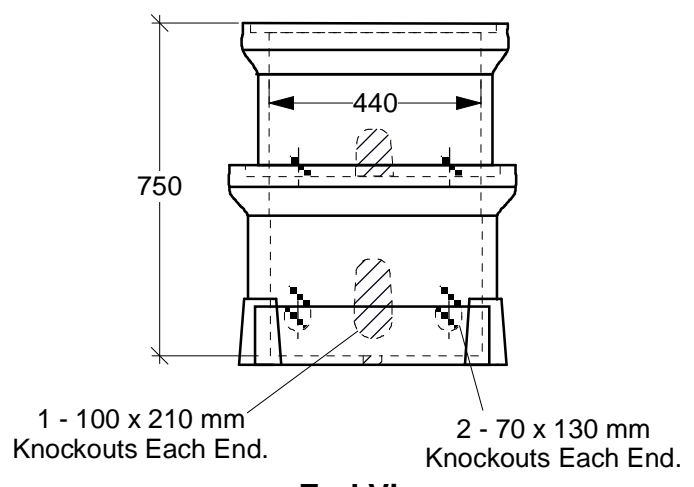
**Plan View - Complete Box**



**Plan View - Remote Reader Lid**



**Side View**



**End View**

**Weights:**  
 Steel Cover: 30 kg / 65 lbs.  
 Top Section: 64 kg / 140 lbs.  
 Bottom Section: 64 kg / 140 lbs.  
 Base Section: 77 kg / 170 lbs.

- General Notes:**
- Cement to CAN / CSA A5-93 Portland Cement.
  - Extensions Available: 6" / 150mm & 12-3/4" / 324mm.
  - Sectional Stacking Concrete Service Box.
  - Site installation and backfilling are the responsibility of others.
  - Not for use in travelled portion of the roadway.

Note: AE#66 is replaced by T2-66  
 Effective date Jan 1, 2005.

**T266 Service Box - (Replaces #66)**



A.E. Concrete Precast Products Ltd.  
 Office: 19060 - 54th Ave. Surrey, BC V3S 8E5  
 Tel (604) 576-1808 Fax (604) 576-2454  
 Shipping: 5353 - 192nd St. Surrey, BC V3S 8E5  
 website: www.ae-concrete.com

**Scale: 1 : 20 mm**  
**Total Wgt: 234 kg / 515 lbs.**  
**Rev: 02Mar05 - ZS**  
**Dwg#: \*T266-N3-ZZZZ-C**