



7520 Conrad Street
Burnaby, BC V5A 2H7

Phone : 604 415 5181
Fax : 604 415 5185

DRAWN BY: P.S DATE: 04/2007

APPROVED:

REVISION:

SCALE: NOT TO SCALE

LOAD RATING

N . A

MATERIAL SPECIFICATION

COATING

BITUMINOUS TAR COATED
(UNCOATED ON REQUEST)

ESTIMATED WEIGHT -
103 LBS.

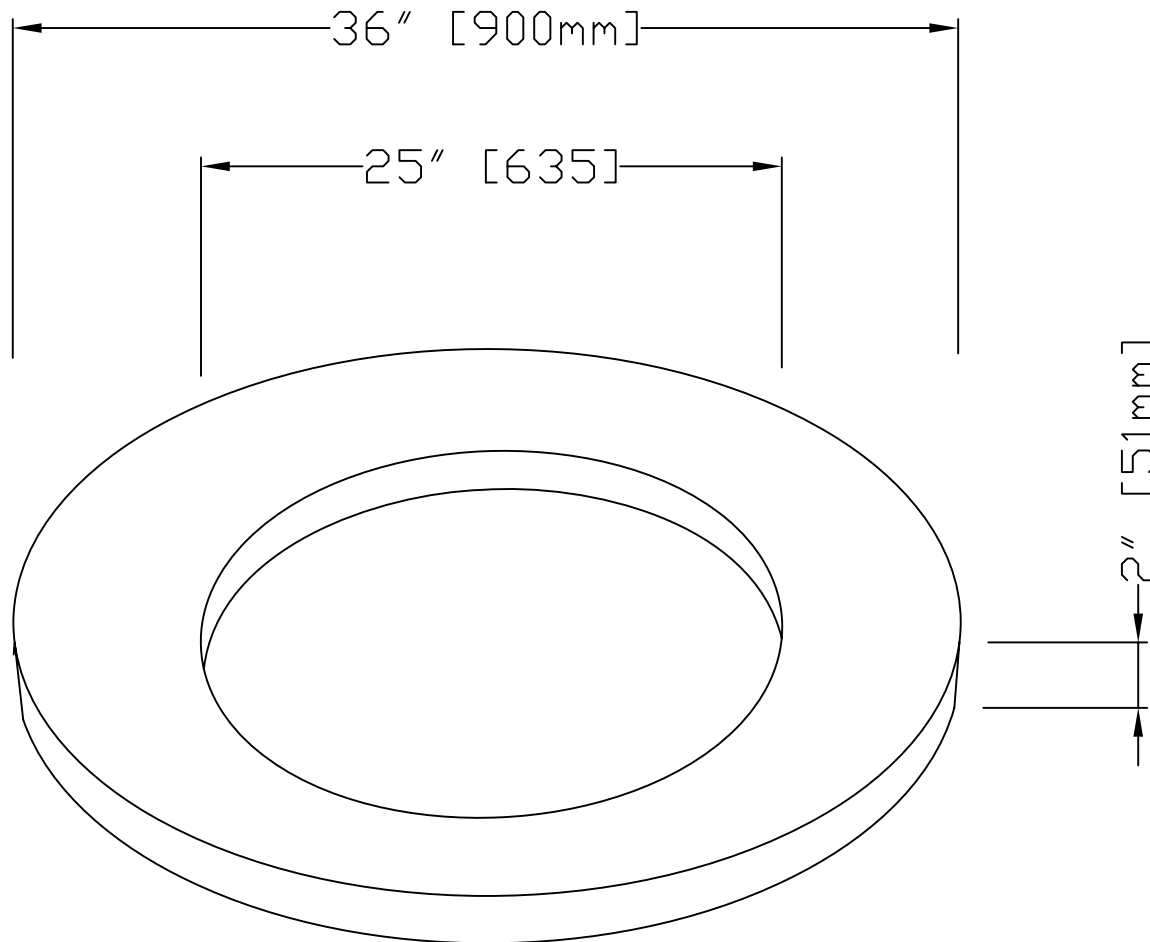
Notes:

Also available in 1"
&
4" thickness.

PART / DWG NUMBER

MANHOLE GRADE
RING

CATALOG NUMBER



All dimensions are in inches
&
Dimensions are approx
Drawing dimensions are N.T.S

MHR2:- 2" [51mm] thick Manhole Grade Rings