

DIAMOND
WATERWORKS

7520 Conrad Street
Burnaby, BC V5A 2H7

Phone : 604 415 5181
Fax : 604 415 5185

DRAWN BY: P.S DATE: 04/2007

APPROVED:

REVISION:

SCALE: NOT TO SCALE

LOAD RATING

H-20

MATERIAL SPECIFICATION

ASTM A 48

COATING

BITUMINOUS TAR COATED
(UNCOATED ON REQUEST)

ESTIMATED WEIGHT -

60 LBS.

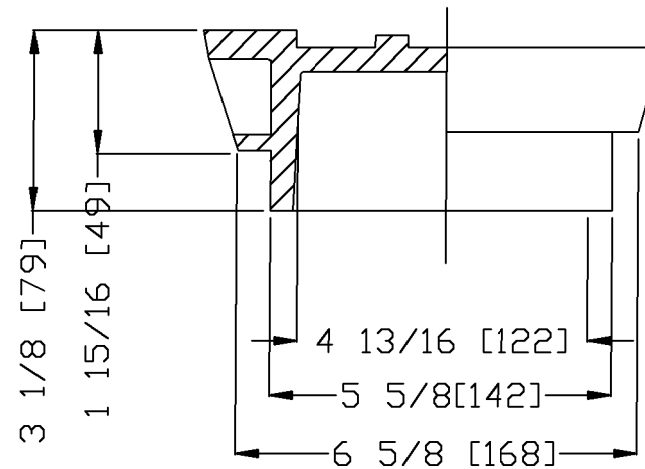
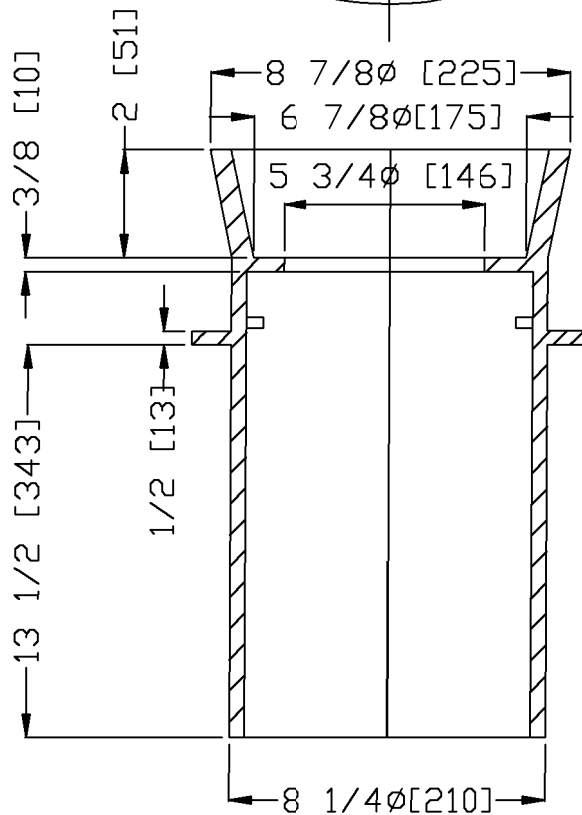
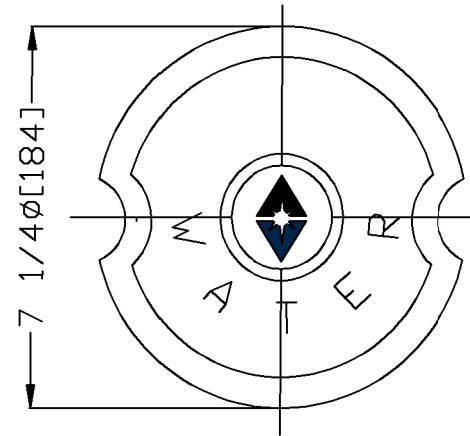
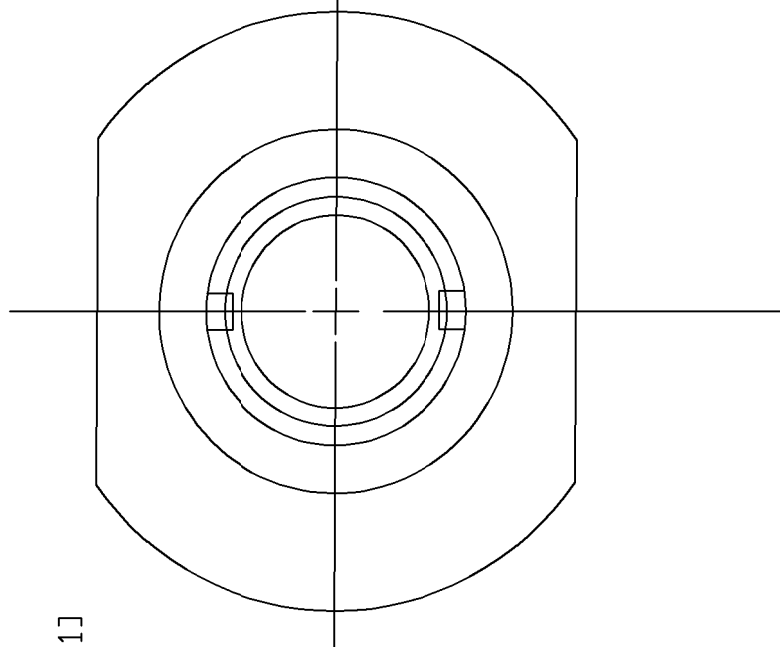
Note:

Also Available with
Locking Lid

PART / DWG NUMBER

VALVE BOX & LID

CATALOG NUMBER



LID

Nt Valve Box & Lid